

Cobalt Health Universal Grab Rail

Assembly & Operating instructions

GBR Universal Grab Rail

The information in this document is subject to change without notice.

761302

Thank you for purchasing a Universal Grab Rail. The user manual should be read carefully before use your Universal Grab Rail. Please ensure that you understand all instructions. If you have any questions concerning the operation or maintenance of the bed please contact your provider.

MAINTENANCE

Periodically check to ensure all components are present, clean, correctly assembled and suitably tightened.

CLEANING

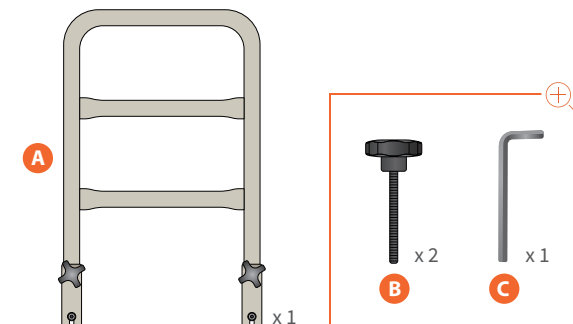
To clean the Universal Grab Rail, use a cloth slightly moistened with a mild detergent. It is not recommended to use any undiluted bleach or surface cleaners that may mark the frame surface.

PRODUCT SIZE

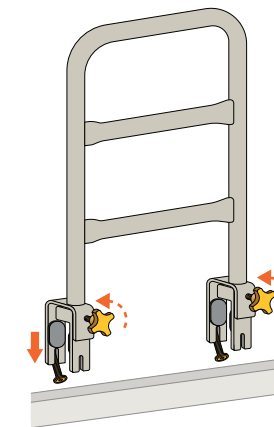
Height of Rail 400 mm from mattress platform
Width Overall 300 mm

SAFETY INSTRUCTIONS

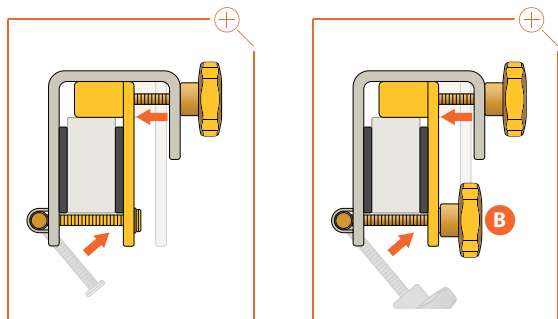
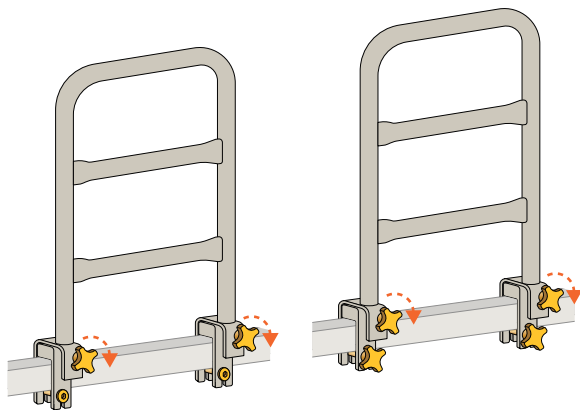
- Careful consideration needs to be taken when choosing a bed rail. Incorrect positioning of the bedrail can lead to injury or death.
- They may increase the risk of injury to the occupant in several ways:
 - a) Entrapment of limbs or body parts may occur within the rails, between the rails and the bed.
 - b) This may occur to those having a seizure, or rolling over in bed, or if unstable while transferring out of bed.
 - c) Bed rails can cause some occupants to become anxious while in bed. They may try to climb over the rails, particularly if the occupant has a condition such as dementia.
- May not be suitable for a person who has:
 - a) a cognitive impairment with or without reduced mobility
 - b) reduced alertness and/or disorientation
 - c) a history of falls from bed
- It is recommended to check regularly that the bed rail is always positioned as close to the mattress edge as possible.
- It should not be used in circumstances where there is a gap between the bed rail and the mattress, or potential gap if the device or mattress moves which can cause risk of entrapment.
- A risk assessment is recommended prior to provision.



1. Lay out the parts as shown. Note that two knobs come preinstalled on the frame. The two **B** knobs listed above are identical to those preinstalled on the frame and can be used to replace the bottom bolt on some bed applications in Step 3.

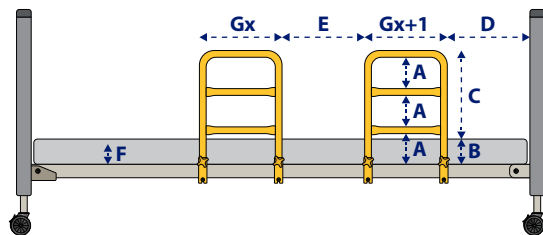


2. Loosen the knobs and the screws in order to position the rail over the bed frame.



- Depending on the height of the bed frame from the floor, part **B** can be used in place of the preinstalled bolts.
- Once in position, firmly fasten the knobs and bolts to secure the bed rail in place.

INSTALLATION SPECIFICATIONS



DESCRIPTION	DIMENSION
A. Smallest dimension between elements inside the perimeter of the side rail or perimeters created between the side rail and fixed parts of the bed.	≤ 120mm
B. Thickness of normal use mattress.	Specified by the manufacturer
C. Height of the top edge of the side rail above the mattress (see B) without compression.	≥ 220mm
D. Distance between headboard or foot board and side rail.	≤ 60mm or ≥ 235mm
E. Distance between side rails if more than one side rail is being used.	≤ 60mm or ≥ 235mm
F. Smallest dimension of any accessible opening between the side rail and the mattress support platform.	If D or E ≥ 235mm then F ≤ 60mm If D or E ≤ 60mm then F ≤ 120mm
G. Total length of the side rail or sum of the length of segmented sides on one side of the bed.	$\sum Gx \geq$ half the length of the mattress support platform

WARRANTY

Cobalt Health guarantees that our products are free from defects and faults in material and workmanship under normal use for the following period, from date of receipt of the item:

12 MONTH LIMITED WARRANTY ON GRAB RAIL

Should a defect with this product, due to either faulty material or workmanship, occur within the above period from the date of delivery of the product, such a defect will be rectified by an authorised service centre without cost to you, for either labour or materials.

Cobalt Health's warranty does not cover:

- Damage or failure attributable to the abuse, misuse, improper or abnormal usage of products. Failure to follow instructions, improper installation or alterations will make the warranty void.
- Any conditions, malfunctions or damage not resulting from defects in material or workmanship.
- Any repairs other than those conducted by a Cobalt Health authorised technician.

IMPORTANT NOTICE:

- Warranty starts from the date of delivery.
- If the product or any parts are returned to the authorised service centre for any cause not covered by this warranty, all costs involved must be paid by the owner to the service centre.
- Charges not covered by the term of this warranty must be borne by the owner. Such charges may arise through the cost of any service call where: the product is found to be incorrectly installed; the product is found to be misused; or through failure to follow operating instructions.

COBALT HEALTH WARRANTY CARD

Purchaser's Name

Address

Product Name

Cobalt Health Universal Bed Rail

Model No.

GBR Universal Grab Rail

Serial No.

Invoice No.

Invoice Date

rehabhire & sales

1300 000 030

320 Lorimer Street Port Melbourne
contact@rehabhire.com.au
rehabhire.com.au

rehabhire & sales
REPAIRS AND SERVICE
REGULAR MAINTENANCE OR REPAIRS

1300 000 030

Unit 6 | 52 Wirraway Drive Port Melbourne
service@rehabhire.com.au
rehabhire.com.au/repairs-and-service

rehab**installation**
CAN MODIFY EVERY ROOM IN YOUR HOME TO
ENSURE IT IS ACCESSIBLE, SAFE, AND COMFORTABLE

1300 000 030

320 Lorimer Street Port Melbourne
contact@rehabinstallation.com.au
rehabinstallation.com.au