

rehabhire & sales

YOUR
LEADING
HEALTHCARE
EQUIPMENT
PARTNER

etac®

Clean

Height Adjustable Shower Commode Chair



1300 000 030 | rehabhire.com.au

Etac Clean Height Adjustable

Etac Clean is secure, safe and simple for both users and carers. With practical functionality and design, every detail of the chair has been developed to give the user a positive and safe bathroom experience. Easy to fit and manoeuvre Etac Clean is extremely easy to operate, thanks to the width of the push handle. The clever design can be seen throughout the entire chair. The upright handle ensures that Clean is a perfect fit, even over wall-mounted toilets, and the chair is open at the back to facilitate access. Comfortable and practical foot support The foot support is unique and can be pushed under the seat when not in use. The soft curved surface provides good comfort for the feet, which are also protected by the foot support's side protection. The possibility of adjusting the seat height means that Etac Clean Height Adjustable can be tailor-made to suit the user's needs – for example to make transfers easier or to fit perfectly over the toilet. Adjustment is simple and no tools are required.



Features and Benefits

- The smart design gives Etac Clean a large and comfortable seating area even though the chair is neat and slim
- The chair is open at the back to facilitate access for hygiene purposes
- Thanks to the upright operating handle, the chair is a perfect fit, even over wall-mounted toilets
- The practical foot support has a soft, rounded shape which gives the feet extra comfort and protection



Slim but roomy



Fits over the toilet



Easy access



Foot support designed for feet

Specifications

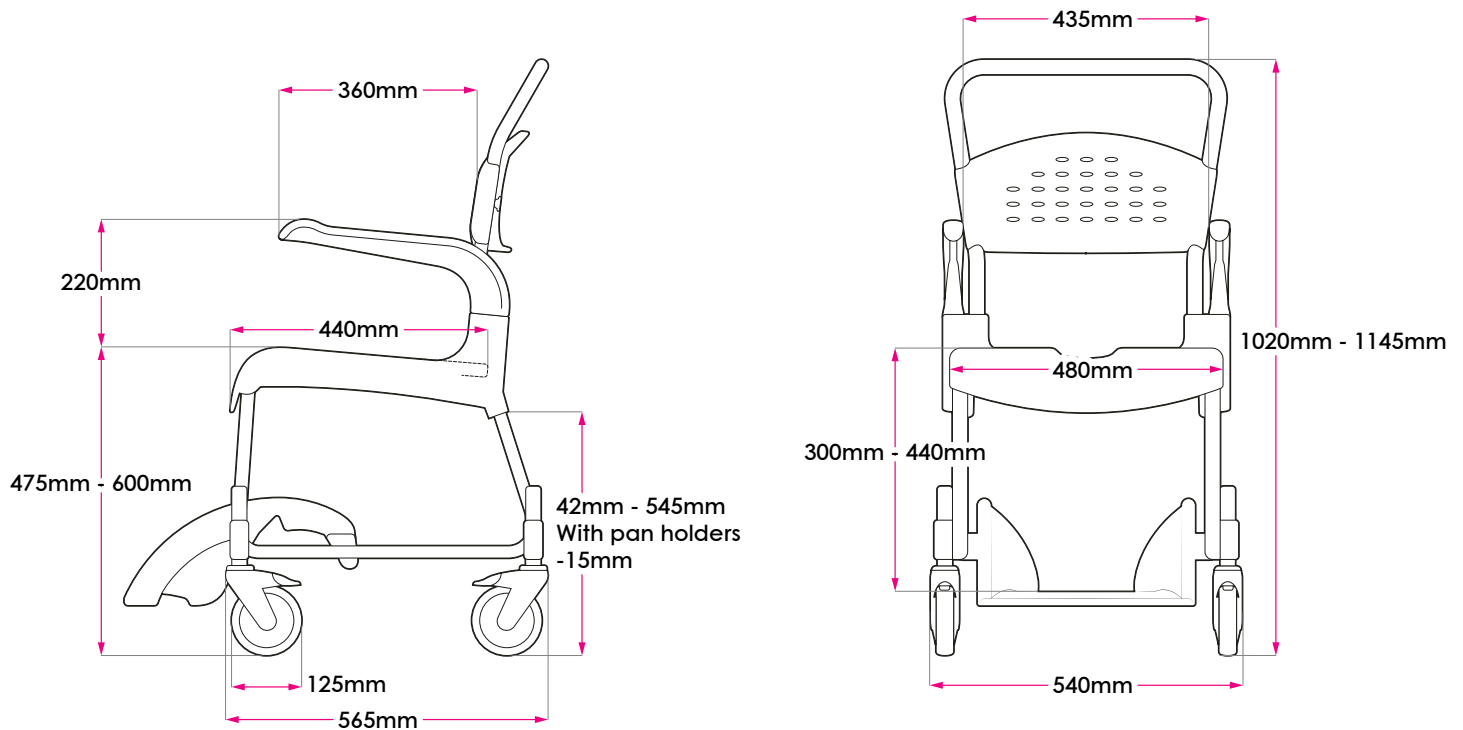
Total Width	540mm
Seat Width	480mm
Seat Depth	440mm
Seat Height	475mm - 600mm
Opening	Width: 215mm Depth: 360mm
Width Between Arms	435mm
Product Weight	14.2kg
SWL	130kg
Compliance	ARTG 176286 AS NZS 3973:2009
Warranty	5 years

Material

Chassis: Powder coated steel tubing
 Seat/Back support: Polypropylene
 Arm supports: Polypropylene
 Foot support: Polypropylene
 Castors with ball, bearings: Polyamide/TPE/Stainless steel tubing
 Castor height adjustment tubes: Stainless steel

Maintenance

Clean the product with a solvent-free cleaning agent (pH level 5-9), or with a 70% disinfectant solution. Can be decontaminated at max 85°C / 185°F if so required.



Notes



1300 000 030

320 Lorimer Street Port Melbourne
contact@rehabhire.com.au
rehabhire.com.au



1300 000 030

Unit 6 | 52 Wirraway Drive Port Melbourne
service@rehabhire.com.au
rehabhire.com.au/repairs-and-service



1300 000 030

320 Lorimer Street Port Melbourne
contact@rehabinstallation.com.au
rehabinstallation.com.au